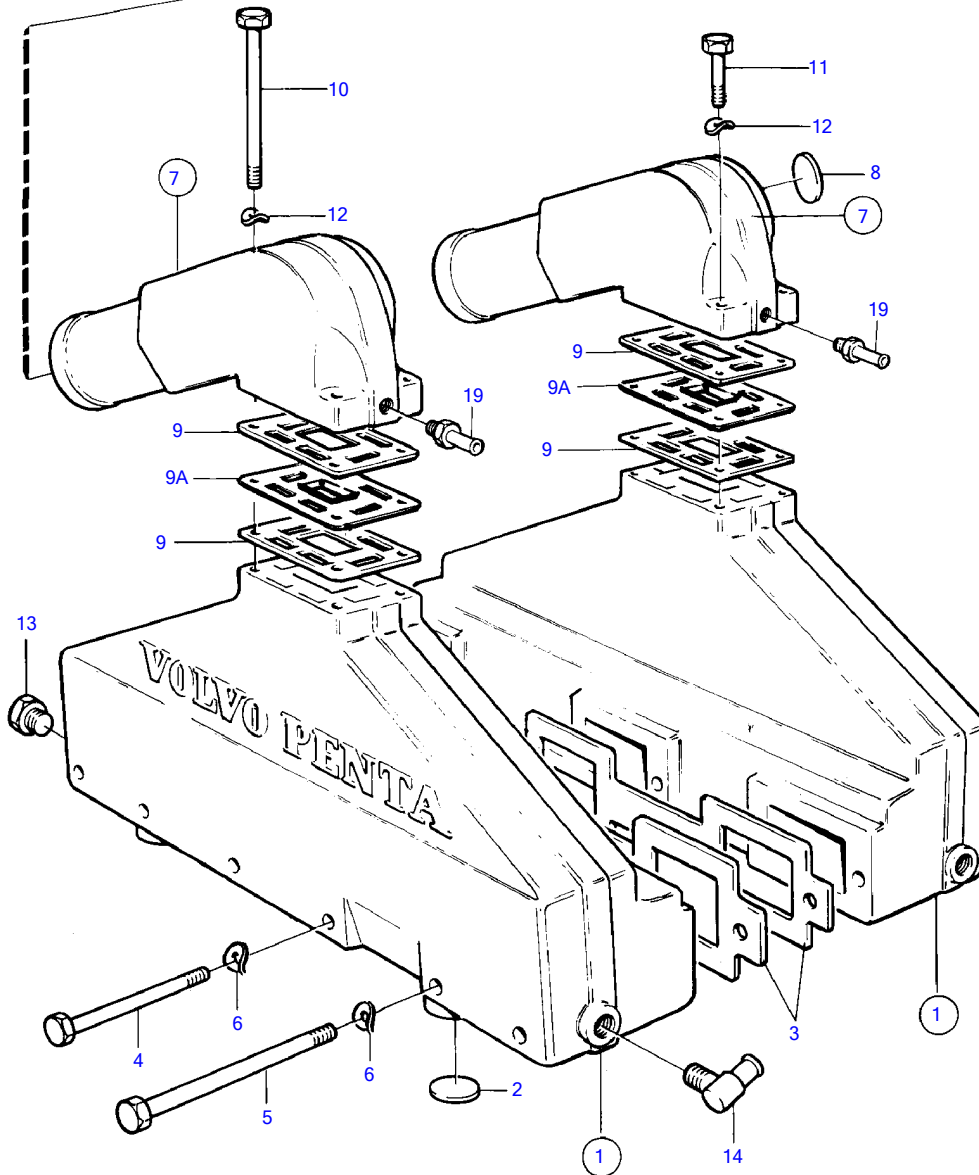
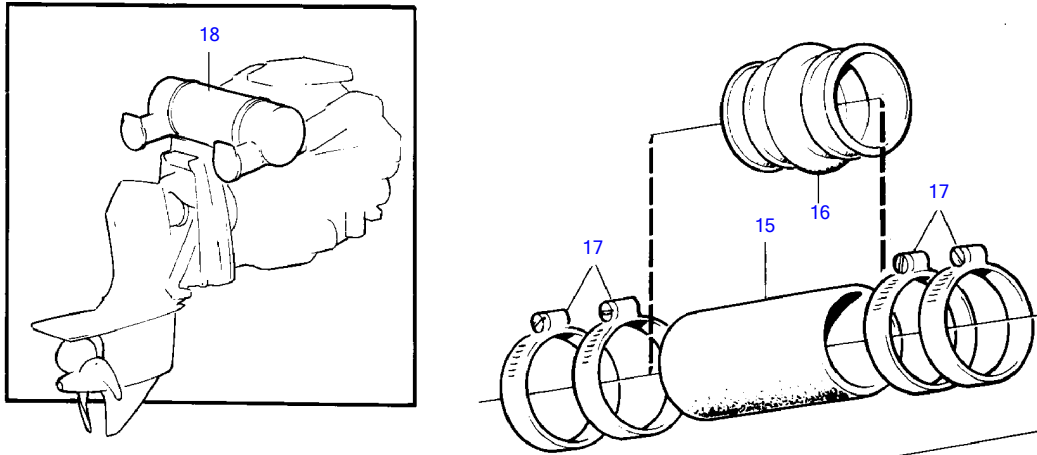


430A



430A

REF	PART NO.	QTY	DESCRIPTION	NOTES
1	856894	2	Exhaust manifold	(856137)
2	856884	8	• Expansion plug	(477024)
3	856116	2	Gasket	
4	942268	8	Hexagon screw	
5	942547	2	Hexagon screw	
6	942336	10	Spring washer	
7	856895	2	Exhaust riser	Replaced by exhaust riser 857037 + plugG 192154., Early type
	857037	2	Exhaust pipe	Late type
8	856884	2	• Expansion plug	(477024)
9	856039	4	Gasket	
9A	857252	2	Gasket	
10	959796	4	Hexagon screw	
11	940136	4	Hexagon screw	
12	941907	8	Spring washer	
13	192154	2	Plug	
14	961610	2	Hose nipple	
15	834751	2	Exhaust hose, hose	For engine without silencer., Early type See group 4A
16	854935	2	Exhaust hose	Late type, see group 4A
17	853012	8	Hose clamp	
18		X	muffler	See group 9
19	942691	2	Hose nipple	Late type

7736260-26-12485

11058

Upd:2014-10-28